



CMS-GP465T ADVANTAGE

PORTABLE CHANGEABLE MESSAGE
LED Full Matrix – 24 pixels x 48 pixels

CATALOG NO:
AMS30064625



GENERAL SPECIFICATIONS

The CMS-GP465T Advantage from American Signal Company represents the latest advances in ALL-LED sign and highway safety technology. This ALL-LED, Full Matrix, Graphics capable display, utilizing 30 degree ITE Amber LEDs, gives you the lowest cost and most effective portable / changeable display message sign available today. With this display, users have the ability to furnish timely, pertinent, and dynamic traffic information to en-route motorists via alphanumeric text and / or graphic display.

Additionally, the GP465T Advantage may be utilized in calming and speed awareness applications through the use of an optional radar interface. This option is capable of not only displaying cautionary traffic messages, but actual vehicular speeds for those exceeding the user selectable "threshold" speed, as well.

FEATURES

- Full Matrix 24 Rows x 48 Columns
- 1, 2, 3, or 4-line messages
- Graphics and Animations
- 8.5" to 34" Characters
- Up to 12 Characters per line
- 11 Font sizes
- NTCIP Compliant

OPTIONS

- Cellular (CDMA / IXRTT , GSM / GPRS)
- Landline or Ethernet (TCP / IP) Options
- Radar Overspeed Detection
- Queue Detection
- VoiceStar™ Highway Advisory Radio
- AIMSTAR™ Adjustable Solar Assembly
- Radar Data Logging & Graphing
- ITS Ready Options: CCTV, HAR

COST EFFECTIVE

- Energy Efficient
- Environmentally Sound

EASY TO USE

- User-friendly
- Local and / or remote sign control

LOW MAINTENANCE

- Long Life LEDs
- SOLR Primary Power Supply

GRAPHICS AND LEGIBILITY

- This Full Matrix Display give you the power to deliver information via larger text and full sign sized graphics.
- Legibility distance over one thousand feet (1000')
- 26 MUTCD symbol signs are available
- 11 character fonts with character heights from 8.5" to 34"
- Full height chevrons, moving arrows
- Ability to flash lines or entire message



2755 Bankers Industrial Dr. Atlanta, GA 30360
VOICE: 770.448.6650 FAX: 770.448.8970
info@amsiq.com / www.amsiq.com

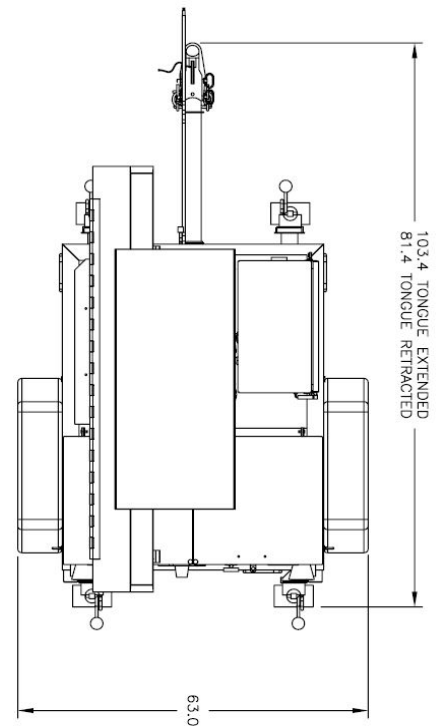
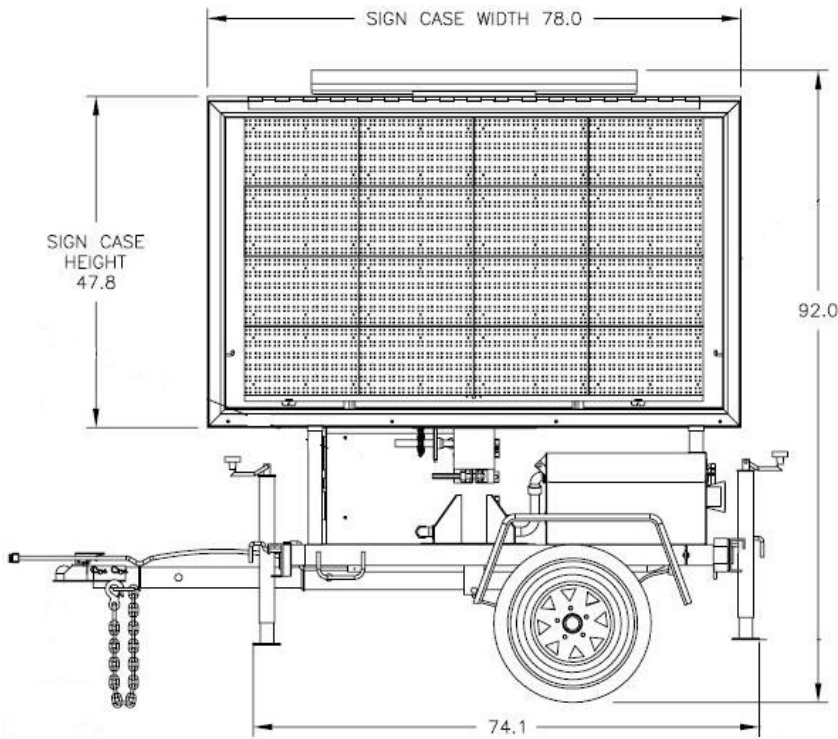
** Specifications/Technology is subject to change.
v.1.0 JUL 2015*



CMS-GP465T ADVANTAGE

PORTABLE CHANGEABLE MESSAGE LED Full Matrix – 24 pixels x 48 pixels

CATALOG NO:
AMS30064625



PHYSICAL / MECHANICAL

Height (raised)	135.7" / 3.4m
Height (storage)	92" / 2.3m
Length (tongue)	103" / 2.6m
Length (w/o tongue)	81" / 2.1m
Rear Extendable Outrigger	18" / 0.5m
Width	63" / 1.6m
Sign Case Width	78" / 2.0m
Sign Case Height	48" / 1.2m

ELECTRICAL / DISPLAY

Matrix Type	Full Matrix
LEDs Per Pixel	4
Angularity	30 Degrees
Speed-Variable	.10 sec increments
Timing	
Matrix Size	24 Rows x 48 Columns
LED Color	590 nm ITE Amber/Yellow
Character Size	8.5" TO 34"

CONTROL / OPERATION

Permanent (factory) Messages	230
User-Defined Messages	200
Message Sequences	250
Graphical/Animation Messages	150

CHARACTER FONTS

Pixel Matrix	Normal Height	Characters Per Line	Lines Sign Face
3 x 5	8.5"	12	4
4 x 5	8.5"	9	4
3 x 7	12"	12	3
4 x 7	12"	9	3
5 x 7	12"	8	3
5 x 7W	12"	7	3
7 x 7	12"	6	3
7 x 7W	12"	5	3
6 x 11	18"	7	2
7 x 20	34"	3	1
9 x 20	34"	3	1

GSA GS-07F-0399L

* Specifications/Technology is subject to change. v.1.0 JUL 2015